



Powering Innovation



PROTECTION + AUTOMATION + CONTROL

# AUTO RECLOSE RELAY WITH FAST RESET

## JRV 142

**JVS ELECTRONICS PVT. LTD.**

#121, Manchanayakanahalli,  
Bangalore Mysore Highway, Bidadi,  
Ramanagara District - 562 109, Karnataka, India  
+91 94808 26272, +91 94808 26260  
bangalore@jvselectronics.in, www.jvselectronics.in

## FEATURES

- ◆ Software based design
- ◆ Built- in Auto / Manual selection facility
- ◆ Fast reset facility
- ◆ No. of shots selectable
- ◆ High accuracy and stability
- ◆ Drawout case

## APPLICATION

The auto reclose function is normally used in feeder protection relays that are protecting an overhead line. Most of the overhead line faults are temporary in nature. Upto 85% can be cleared by using the auto reclose function.



## PRINCIPLE OF OPERATION

The relay receives the fault initiation from the protection relay and that triggers the auto reclose function. After tripping the circuit breaker (CB), the Auto reclose function can reclose the CB. Normally, the first reclose (or shot) is so short in time, that the consumer cannot notice anything. However, the fault will be cleared and the feeder will continue in normal service. Even though the basic principle of Auto reclose is simple, there are a lot of different timers and parameters that have to be set.

## TECHNICAL DATA

### RATINGS

No. of shots	:	4 shot, 3 shot, 2 shot, 1shot
Aux. Supply	:	30VDC 110VDC 220VDC

### SETTING

4- shot STD		
Reclaim time	:	1 - 255s in steps of 1s
DT1, DT2, DT3, DT4	:	0.25s - 60s in steps of 0.25s
Fast reset	:	0 - 15 sin steps of 1s
3- shot STD		
Reclaim time	:	200 - 300s in steps of 1s
Dead Time 1	:	10s - 60s in steps of 1s
Dead Time 2	:	30s - 180s in steps of 1s
Fast reset	:	0 - 15 sin steps of 1s

## 2- shot STD

Reclaim time	:	1 - 255s in steps of 1s
Dead Time 1	:	0.25s - 60s in steps of 0.25s
Dead Time 2	:	0.25s - 60s in steps of 0.25s
Fast reset	:	0 - 15 sin steps of 1s

## 1- shot STD

Reclaim time	:	6 -69s in steps of 1s
Dead Time 1	:	0.1s-1.6s in steps of 0.1s

## BURDEN

Aux. Supply	:	Less than 5W (Non operated) Less than 7W (Operated)
-------------	---	--

## ACCURACY

Operating Time	:	±5% or ±30ms whichever is higher
----------------	---	----------------------------------

## CONTACT RATINGS

TRIP / ALARM Lockout Relay & Reclose Relay	:	10A at 24V DC/230V AC
--	---	-----------------------

## CONTACT DURABILITY

Loaded contact	:	10,000 operations min.
Unloaded contact	:	100,000 operations min.

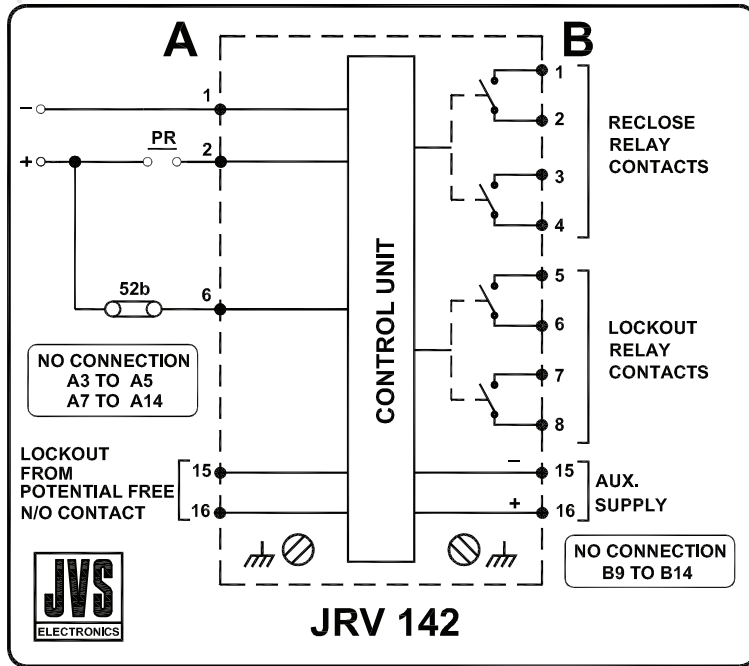
## INSULATION

1. 2KV RMS, 50 Hz for 1 minute / 2.5 KV for 1s. Between all terminals and cases.
2. 1KV RMS, 50 Hz for 1 minute across open contacts

## MECHANICAL DESIGN

Weight	:	2500 gms. (approx)
Case Size	:	144sq mm, depth 232mm
Installation	:	Flush mounting
Panel cutout	:	138mm x 138mm

### TERMINAL DIAGRAM



### ORDERING INFORMATION

Relay rating type : JRV 142 (4 Shot Standard)

Aux. Supply : 30V DC  
 110V DC  
 220V DC